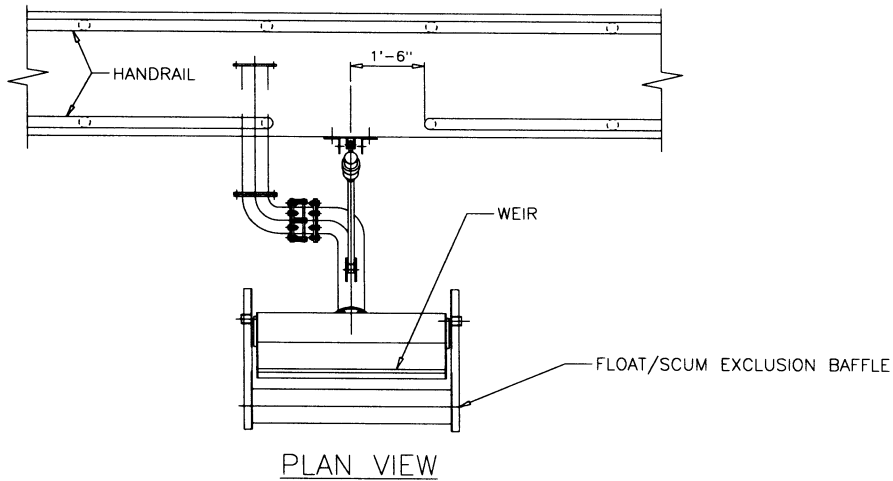


DECANTER OPERATING POSITIONS

Sanitaire
ABJ®  ITT Industries

BROWN DEER, WISCONSIN 53223

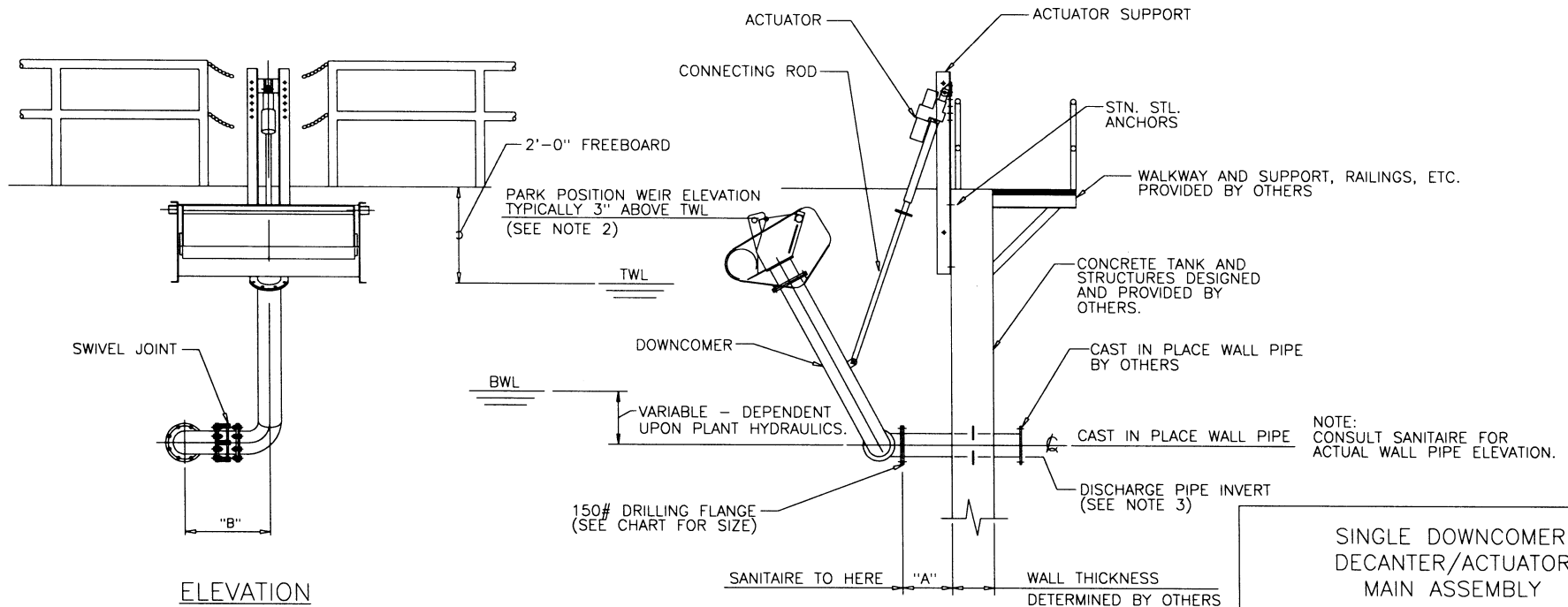
DWG. 99-400



NOTES:

1. ALL SUBMERGED MATERIALS ARE STAINLESS STEEL.
2. PARK POSITION IS USED TO KEEP THE FLOAT ABOVE THE WATER LEVEL DURING AERATION.
3. DOWNSTREAM WATER LEVEL SHOULD NOT EXCEED THIS INVERT ELEVATION.
4. ACTUATOR EQUIPMENT PLATFORM SHOULD BE LARGE ENOUGH TO ALLOW FOR INSPECTION AND SERVICE AND PROPERLY GUARDED FOR SAFETY AS NEEDED.

WEIR LENGTH	"A"	"B"	CAST IN PLACE PIPE SIZE
1'-6"	4"	18"	4"ø
3'-0"	11 3/4"	24 1/2"	6"ø
4'-0"	11 3/4"	24 1/2"	6"ø / 8"ø
5'-0"	11 3/4"	32 1/2"	8"ø / 10"ø
6'-0"	11 3/4"	32 1/2"	8"ø / 10"ø

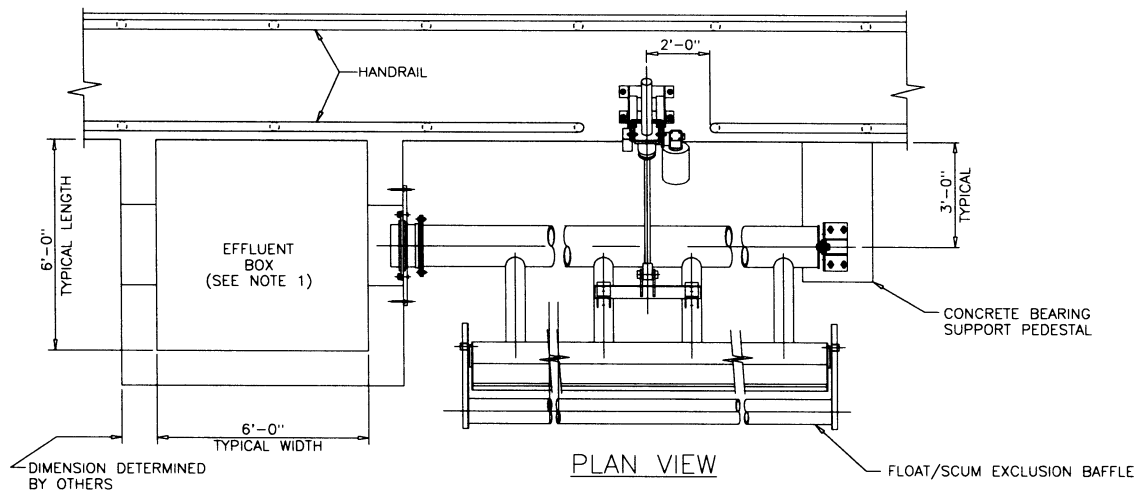


SINGLE DOWNCOMER
DECANTER/ACTUATOR
MAIN ASSEMBLY

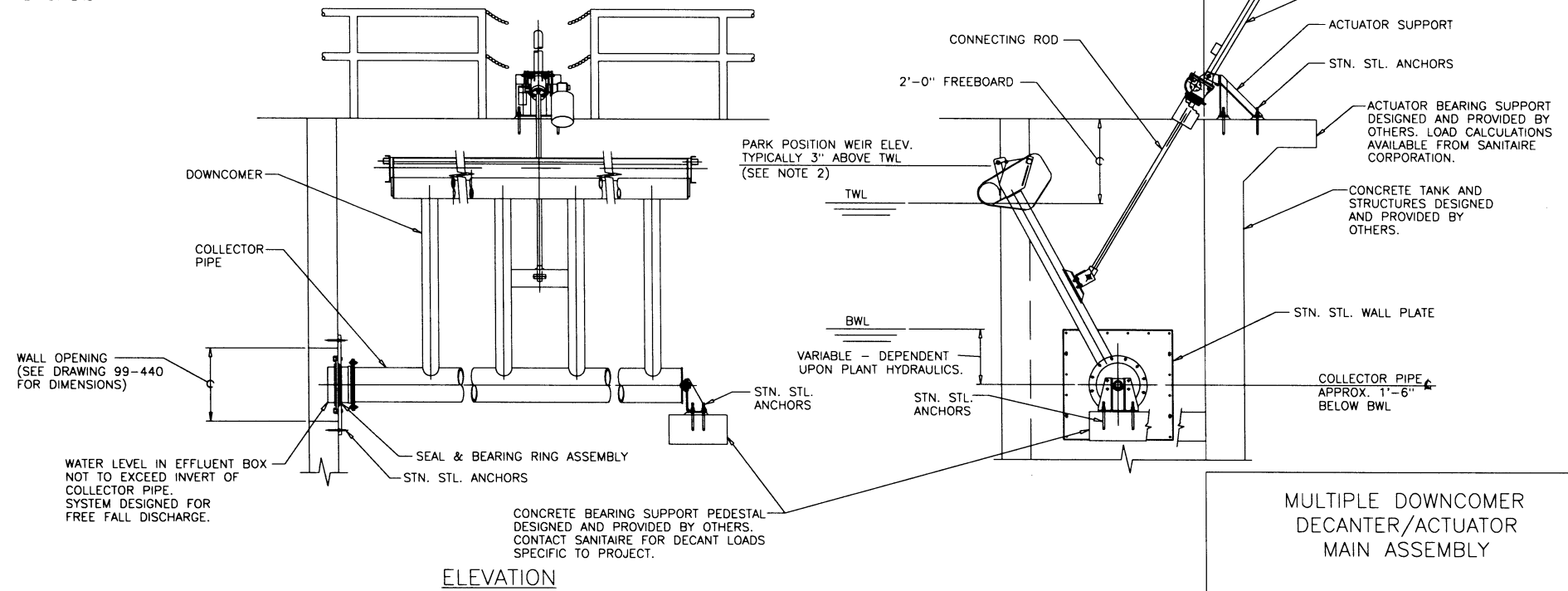
Sanitaire
ABJ®  ITT Industries

BROWN DEER, WISCONSIN 53223

DWG. 99-410



- NOTES:**
- EFFLUENT BOX SHOULD BE DESIGNED WITH THE FOLLOWING CONSIDERATIONS:
 - LARGE ENOUGH PLAN AREA TO ACCOMMODATE INSTALLATION AND MAINTENANCE OF THE DECANTER WALL PLATE.
 - DEEP ENOUGH TO KEEP THE PEAK WATER LEVEL AT OR BELOW THE COLLECTOR PIPE INVERT AT ALL TIMES.
 - PARK POSITION ELEVATION TO BE SET TO KEEP THE DECANTER FLOAT ABOVE THE WATER LEVEL DURING AERATION.
 - ALL SUBMERGED METALLIC MATERIALS ARE STAINLESS STEEL.
 - ACTUATOR EQUIPMENT PLATFORM SHOULD BE LARGE ENOUGH TO ALLOW FOR INSPECTION AND SERVICE AND PROPERLY GUARDED FOR SAFETY AS NEEDED.



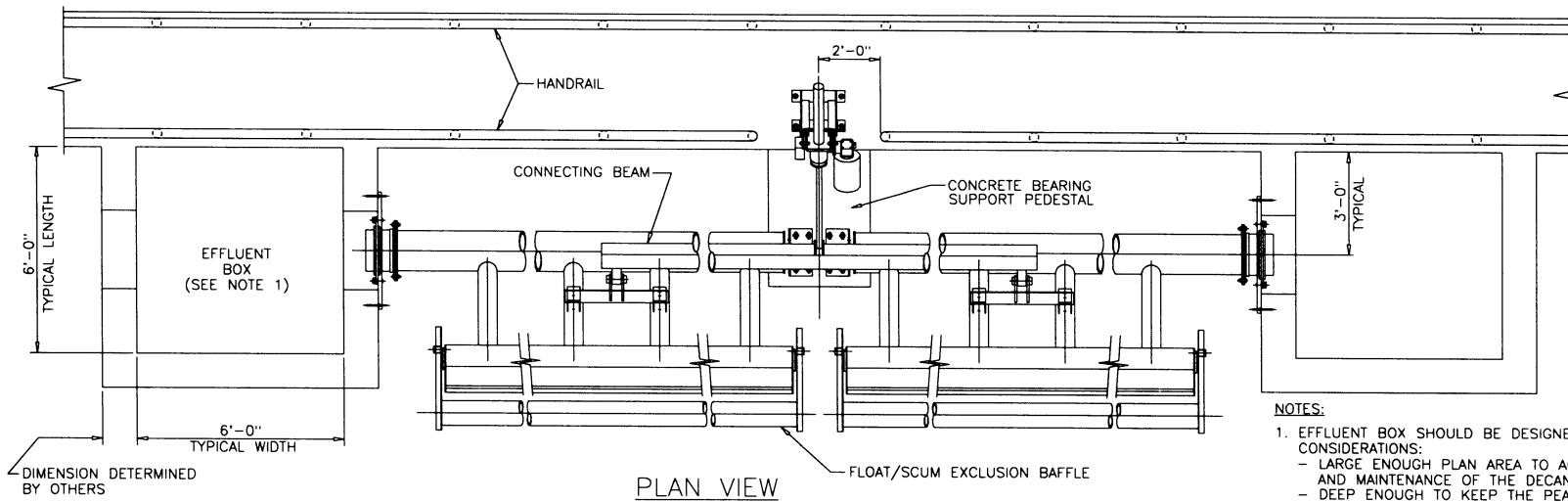
MULTIPLE DOWNCOMER
DECANTER/ACTUATOR
MAIN ASSEMBLY

Sanitaire

ABJ **ITT Industries**

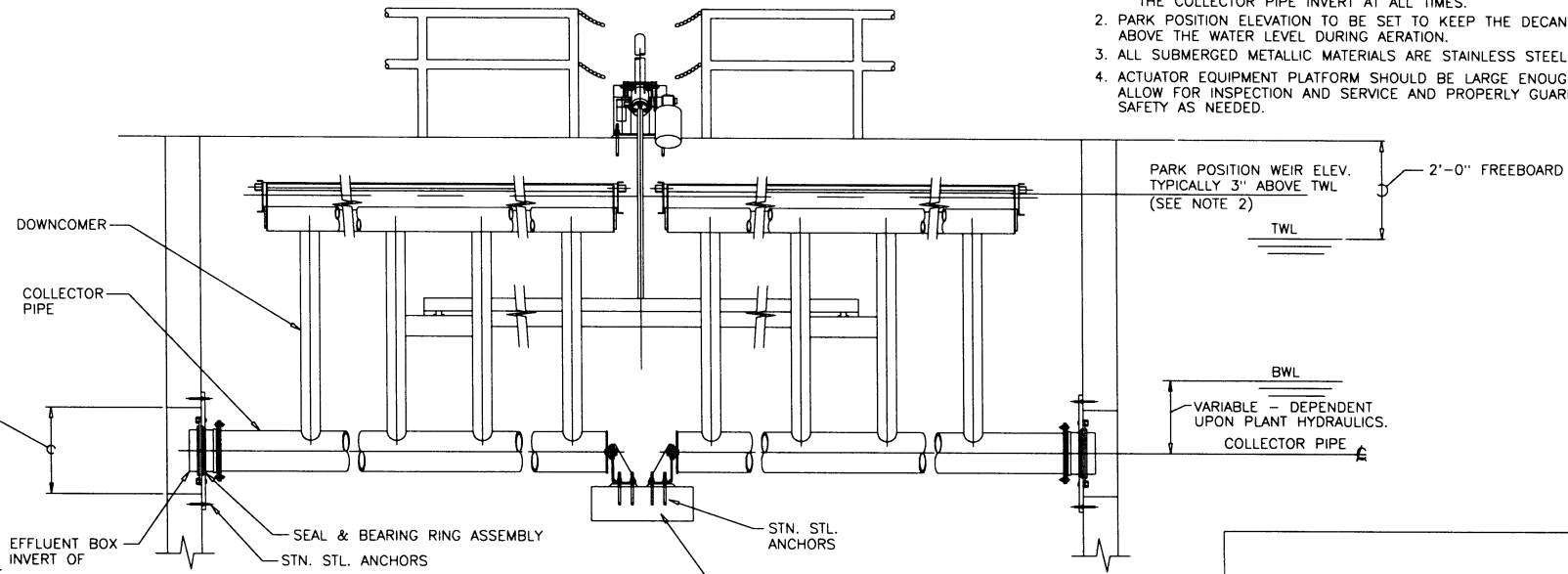
BROWN DEER, WISCONSIN 53223

DWG. 99-420



PLAN VIEW

- NOTES:
- EFFLUENT BOX SHOULD BE DESIGNED WITH THE FOLLOWING CONSIDERATIONS:
 - LARGE ENOUGH PLAN AREA TO ACCOMMODATE INSTALLATION AND MAINTENANCE OF THE DECANTER WALL PLATE.
 - DEEP ENOUGH TO KEEP THE PEAK WATER LEVEL AT OR BELOW THE COLLECTOR PIPE INVERT AT ALL TIMES.
 - PARK POSITION ELEVATION TO BE SET TO KEEP THE DECANTER FLOAT ABOVE THE WATER LEVEL DURING AERATION.
 - ALL SUBMERGED METALLIC MATERIALS ARE STAINLESS STEEL.
 - ACTUATOR EQUIPMENT PLATFORM SHOULD BE LARGE ENOUGH TO ALLOW FOR INSPECTION AND SERVICE AND PROPERLY GUARDED FOR SAFETY AS NEEDED.



ELEVATION

DUAL DECANTER/ACTUATOR
MAIN ASSEMBLY

Sanitaire

ABJ **ITT Industries**

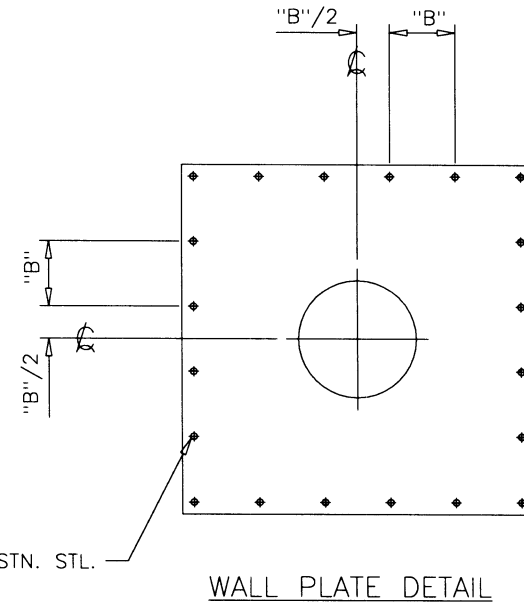
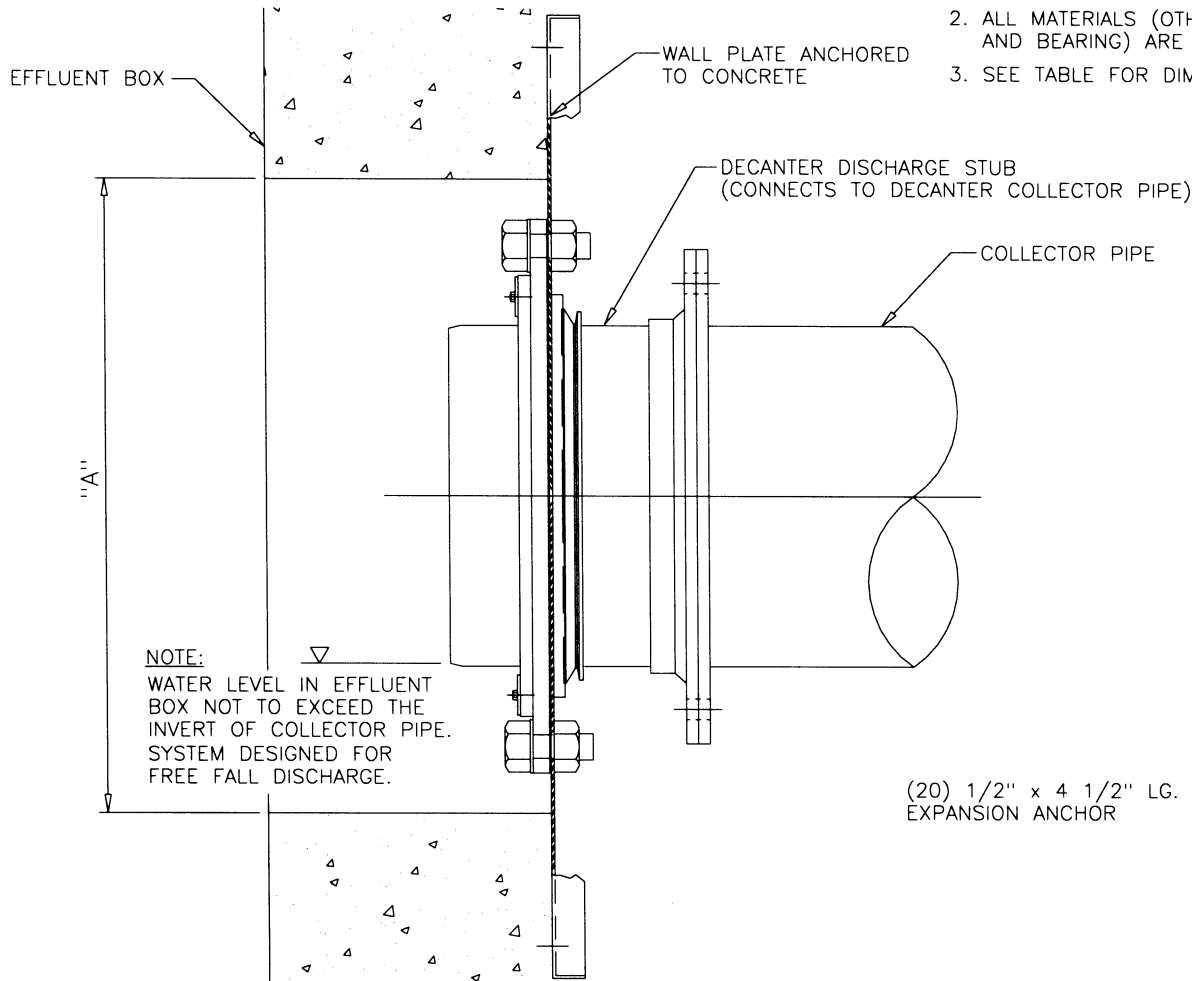
BROWN DEER, WISCONSIN 53223

DWG. 99-430

NOTES:

1. THIS ASSEMBLY USES A DUAL SEAL SYSTEM.
2. ALL MATERIALS (OTHER THAN SEALS AND BEARING) ARE STAINLESS STEEL.
3. SEE TABLE FOR DIMENSIONS

COLLECTOR PIPE SIZE	"A"	"B"
14"	26"	7 1/4"
18"	30"	8 1/2"
24"	40"	10 3/8"



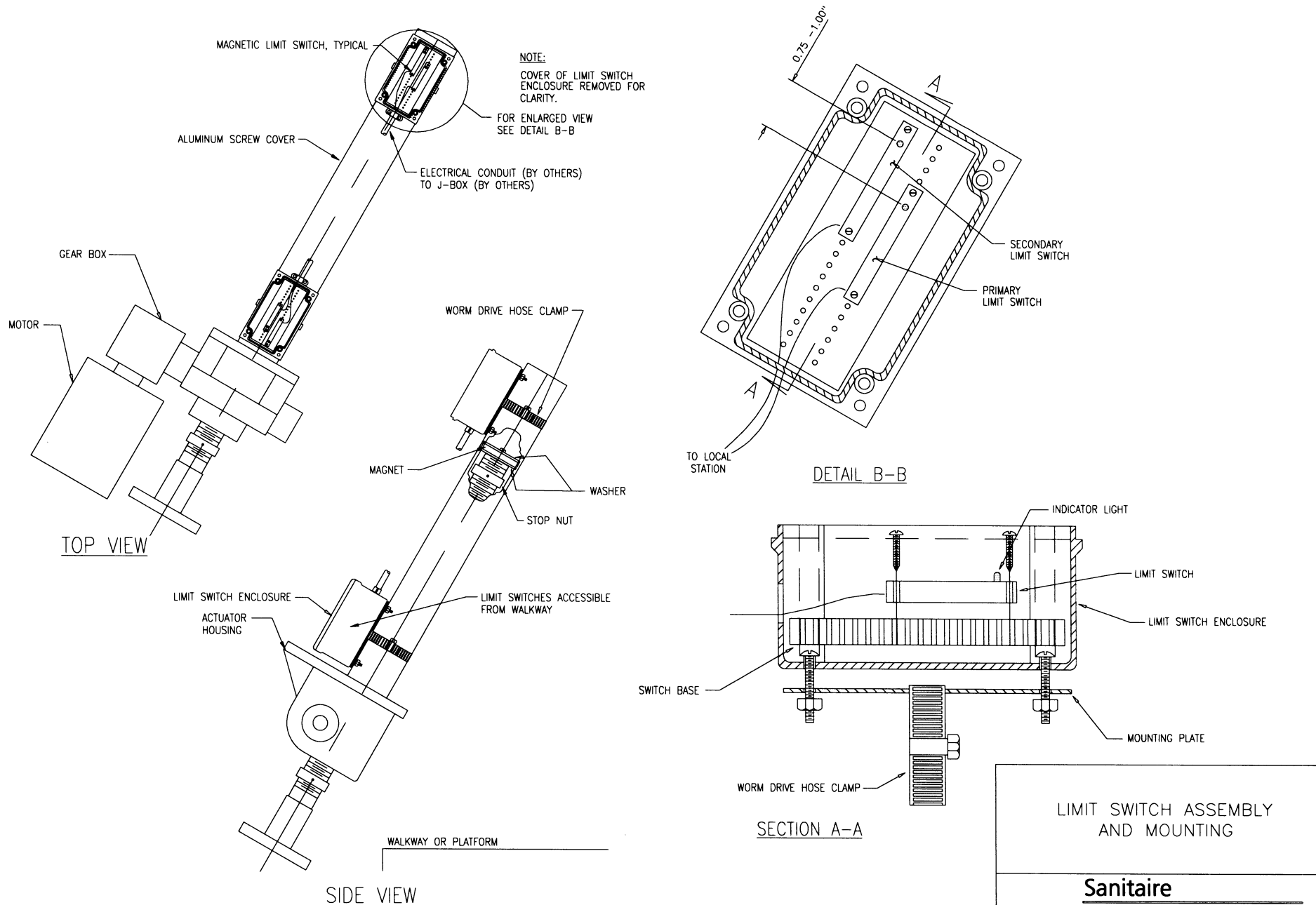
(20) 1/2" x 4 1/2" LG. STN. STL. EXPANSION ANCHOR

DECANTER WALL PLATE, SEAL AND BEARING RING ASSEMBLY

Sanitaire
ABJ  **ITT Industries**


BROWN DEER, WISCONSIN 53223

DWG. 99-440



LIMIT SWITCH ASSEMBLY AND MOUNTING

Sanitaire

ABJ  **ITT Industries**

BROWN DEER, WISCONSIN 53223

DWG. 99-450