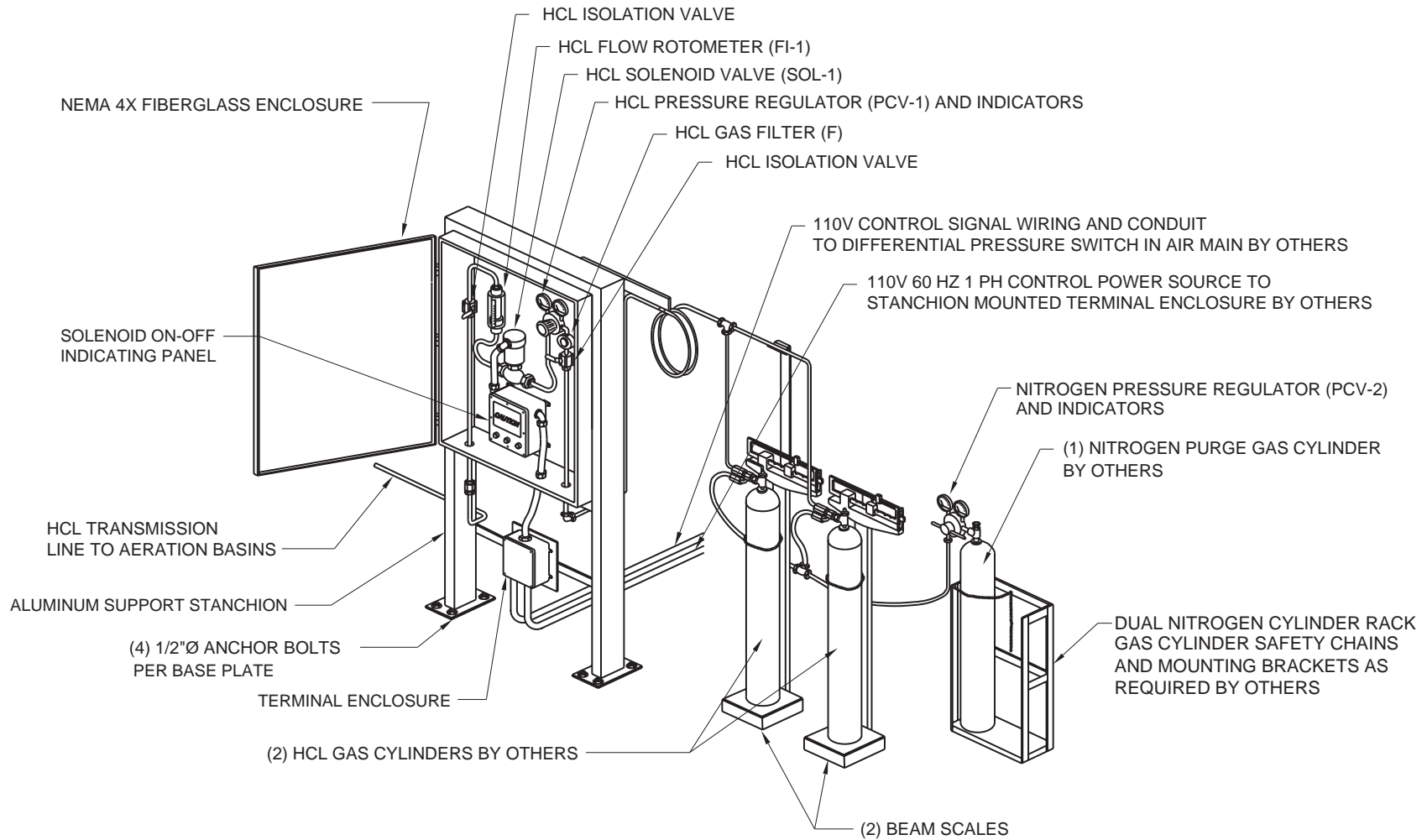


DIFFUSER IN PLACE CLEANING SYSTEM
GENERAL ARRANGMENT



DWG. 99-181



MAIN HCL GAS FEED STATION DETAIL

DIFFUSER IN PLACE CLEANING SYSTEM
 MAIN HCL GAS FEED STATION DETAIL
 60 lb. CYLINDER

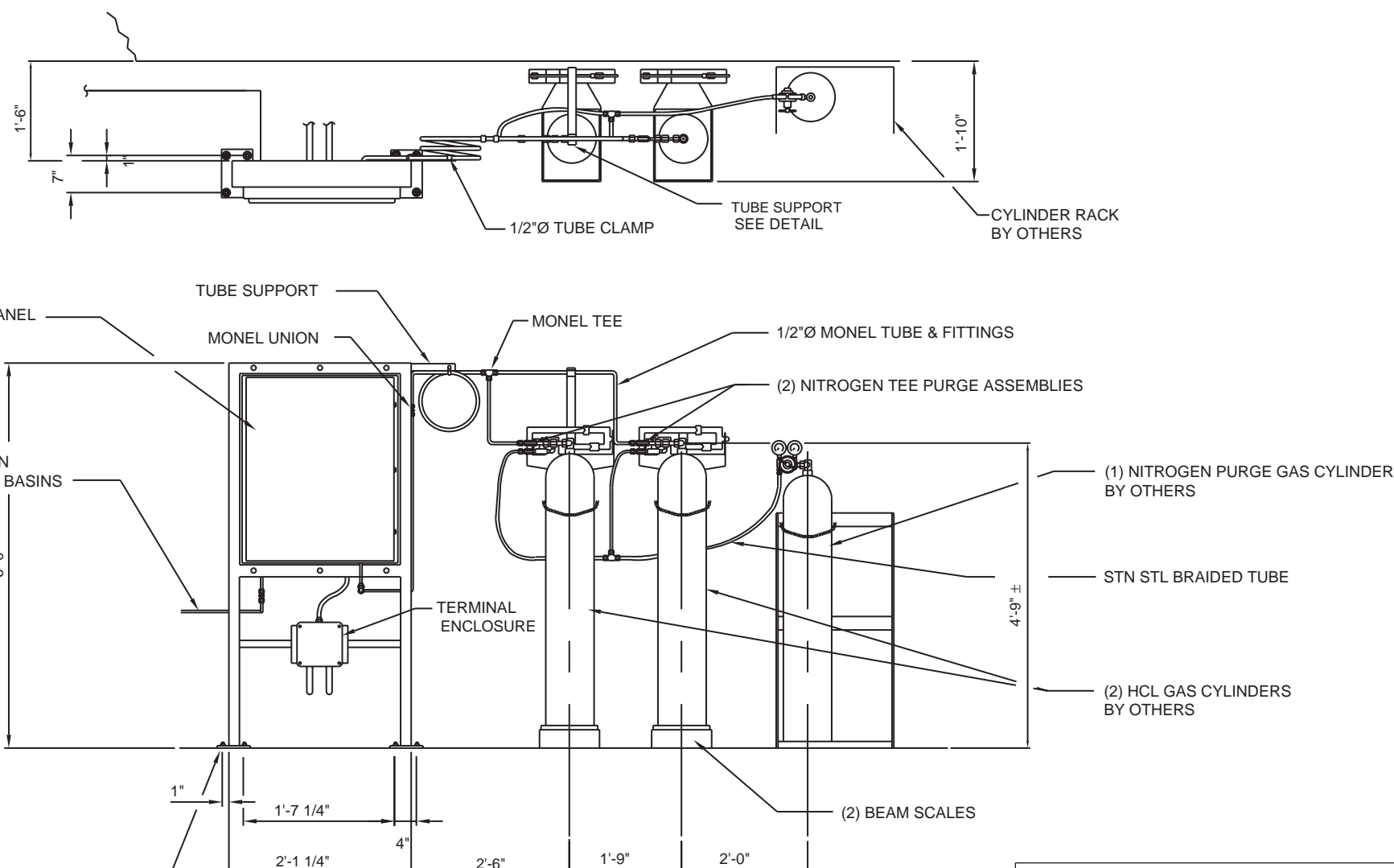
DWG. 99-182



Sanitaire

ITT Industries

BROWN DEER, WISCONSIN 53223



DIFFUSER IN PLACE CLEANING SYSTEM
 MAIN HCL GAS FEED STATION LAYOUT
 60 lb. CYLINDER

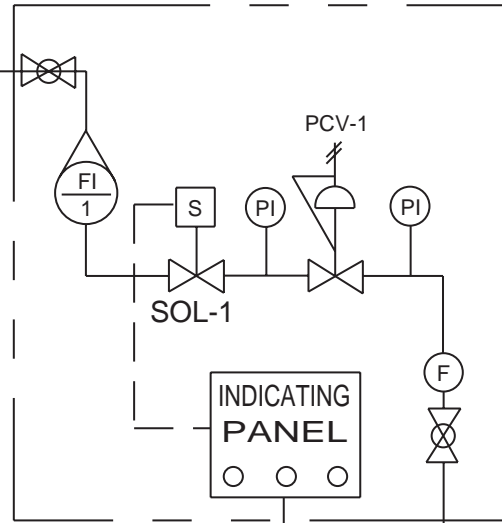
DWG. 99-183

Sanitaire
 ITT Industries
 BROWN DEER, WISCONSIN 53223

(1) 253 Ft³ (1A) SIZE NITROGEN
PURGE GAS CYLINDER BY OTHERS

HCL CONTROL PANEL

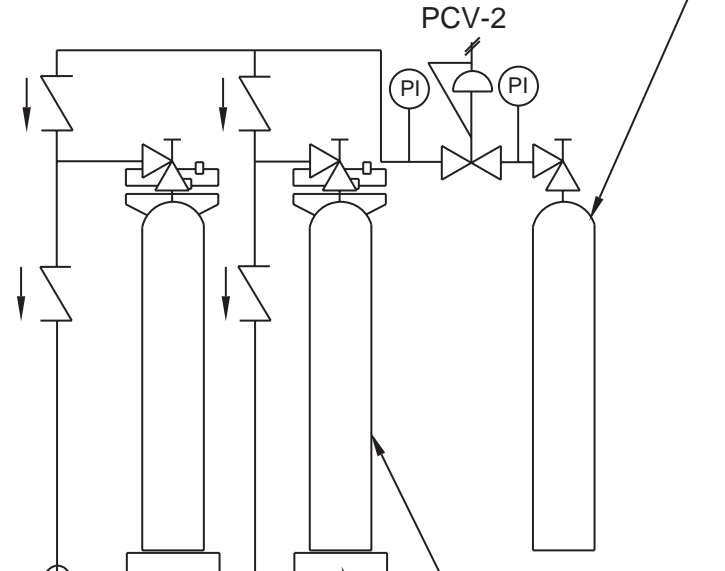
HCL TRANSMISSION
LINE TO
AERATION BASINS



INDICATING
PANEL

STANCHION MOUNTED
TERMINAL ENCLOSURE

110V CONTROL SIGNAL WIRING AND CONDUIT
TO DIFFERENTIAL PRESSURE SWITCH
(CONDUIT BY OTHERS)



(2) 60# (1A) SIZE
HCL GAS CYLINDERS
BY OTHERS

BEAM SCALE

110V, 60HZ, 1PH CONTROL
POWER SOURCE TO SOLENOID
ON-OFF INDICATOR PANEL
(WIRING BY OTHERS)

MONEL TUBE AND FITTINGS

DIFFUSER IN PLACE CLEANING SYSTEM
MAIN HCL GAS FEED STATION
SCHEMATIC 60 lb. CYLINDER

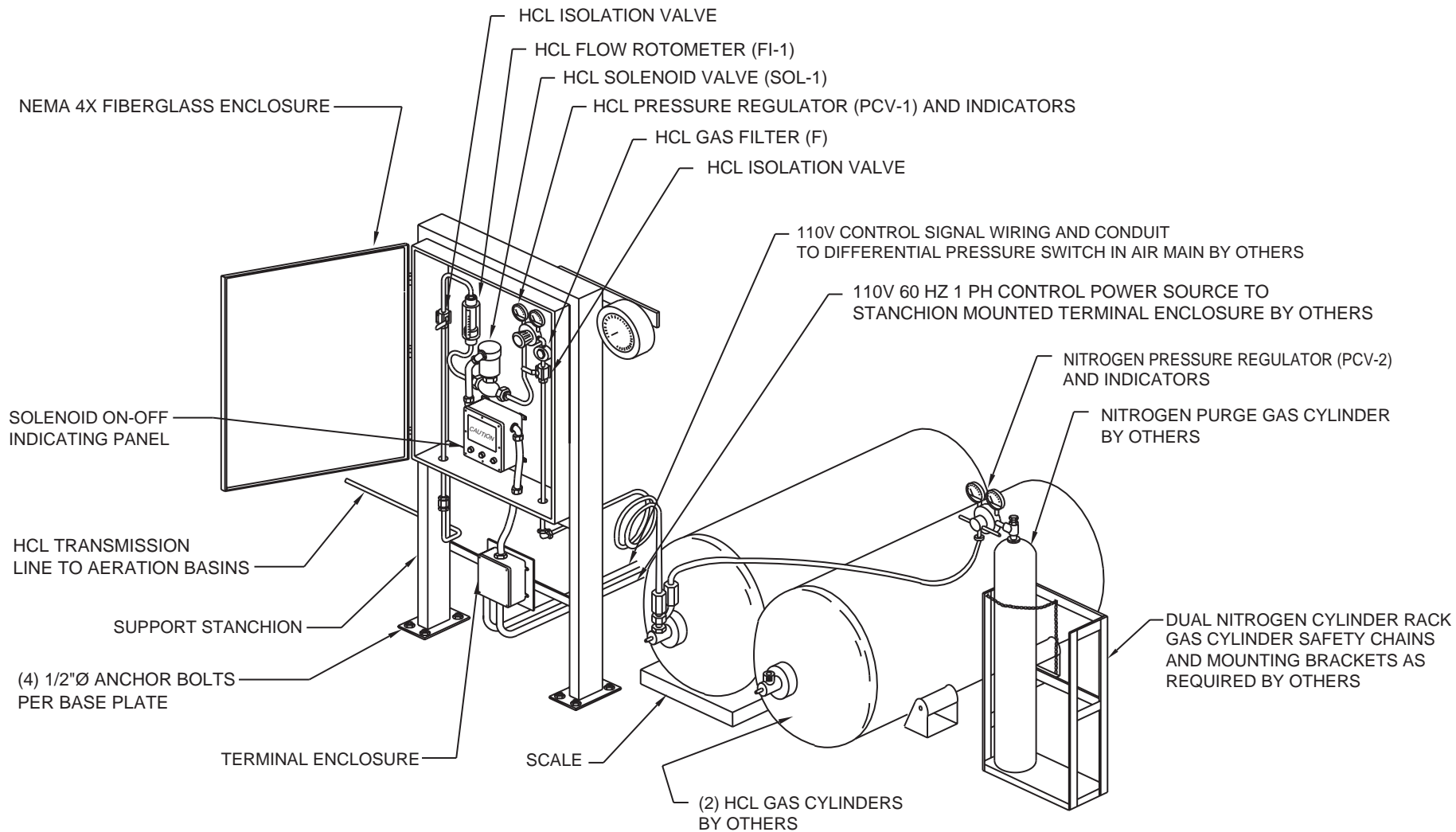


Sanitaire

ITT Industries

BROWN DEER, WISCONSIN 53223

DWG. 99-184



MAIN HCL GAS FEED STATION DETAIL

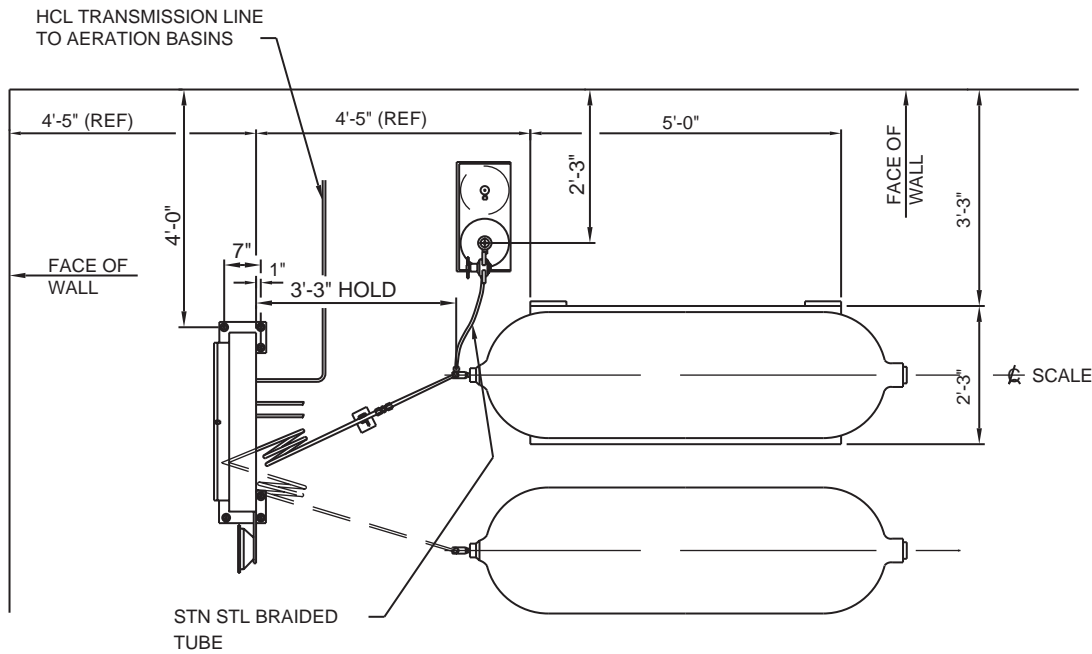
DIFFUSER IN PLACE CLEANING SYSTEM
 MAIN HCL GAS FEED STATION DETAIL
 600 lb. CYLINDER

DWG. 99-185

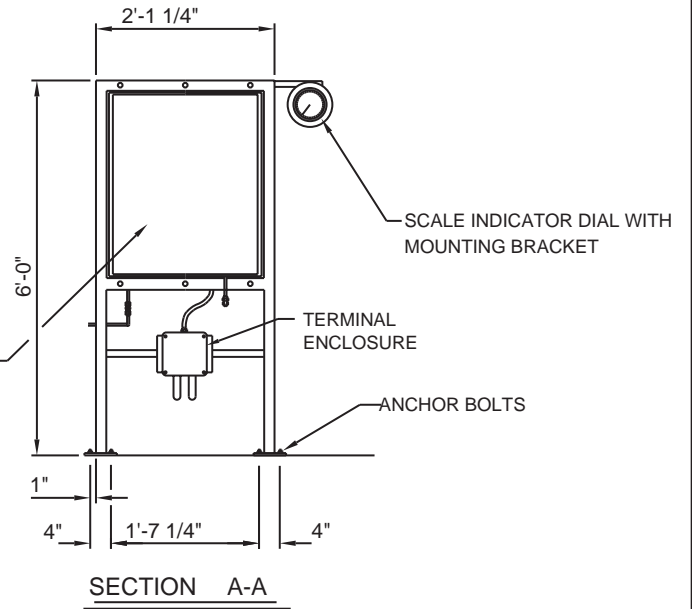


Sanitaire
 ITT Industries

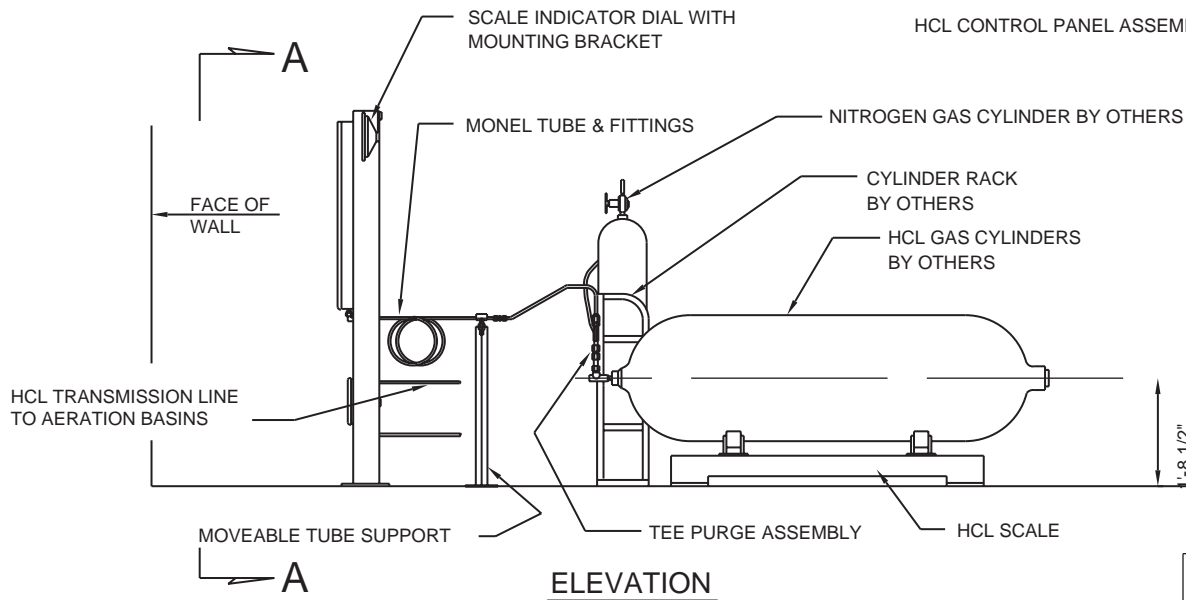
BROWN DEER, WISCONSIN 53223



PLAN VIEW




SECTION A-A



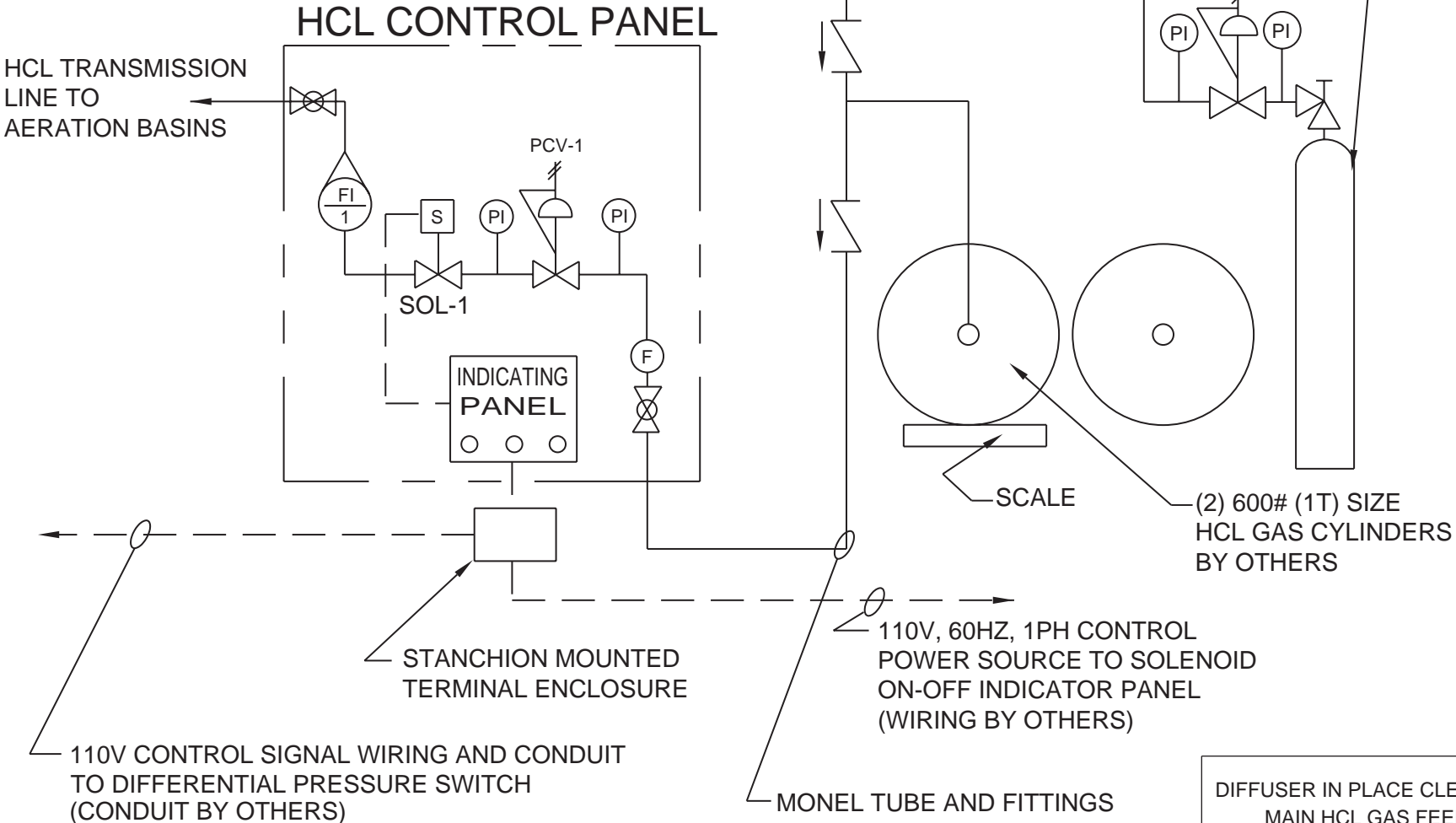
ELEVATION

DIFFUSER IN PLACE CLEANING SYSTEM
 MAIN HCL GAS FEED STATION LAYOUT
 600 lb. CYLINDER

Sanitaire
 **ITT Industries**
 BROWN DEER, WISCONSIN 53223

DWG. 99-186

(1) 253 Ft³ (1A) SIZE NITROGEN PURGE GAS CYLINDER BY OTHERS

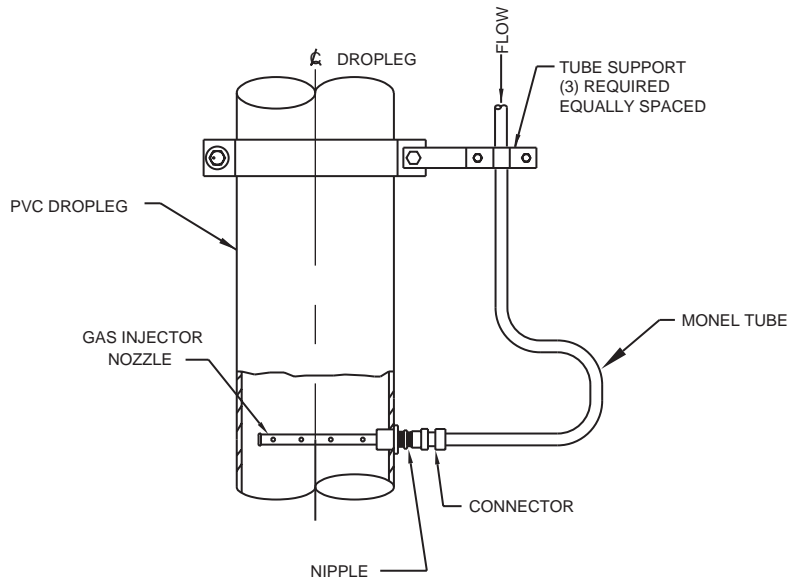


DIFFUSER IN PLACE CLEANING SYSTEM
MAIN HCL GAS FEED STATION
SCHEMATIC 600 lb. CYLINDER

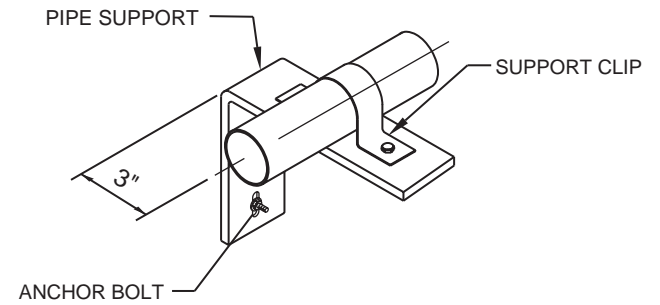


DWG. 99-187

CONTENTS MAY NOT BE DUPLICATED, REPRODUCED OR COPIED
WITHOUT PERMISSION OF SANITAIRE

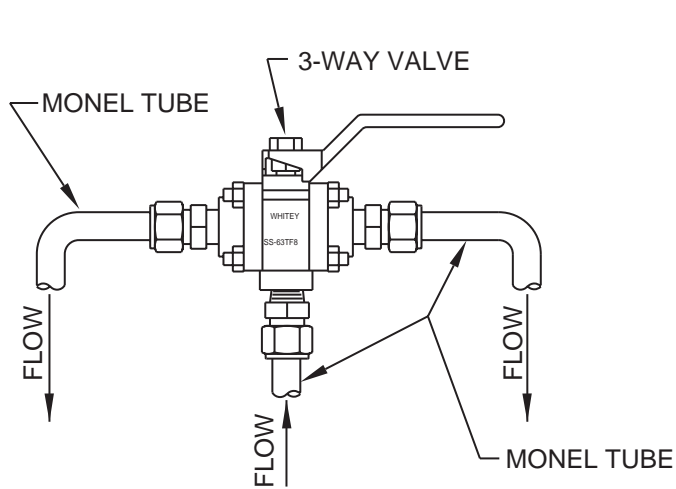


HCL GAS INJECTION NOZZLE

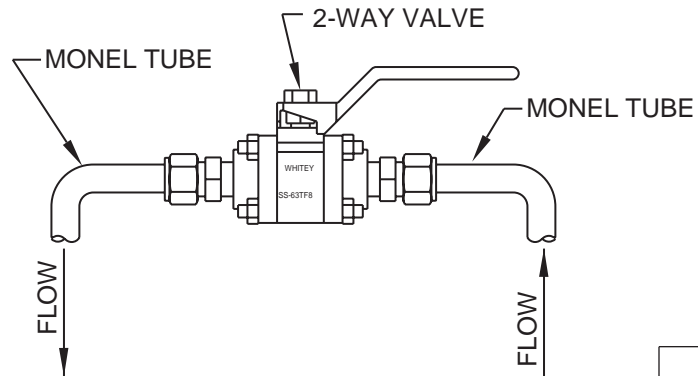


NOTE:
USE (1) SUPPORT EVERY 8'-0"

TRANSMISSION TUBING SUPPORT



**3-WAY FLOW
DIRECTION VALVE**



**2-WAY FLOW
DIRECTION VALVE**

DIFFUSER IN PLACE CLEANING SYSTEM
DETAILS



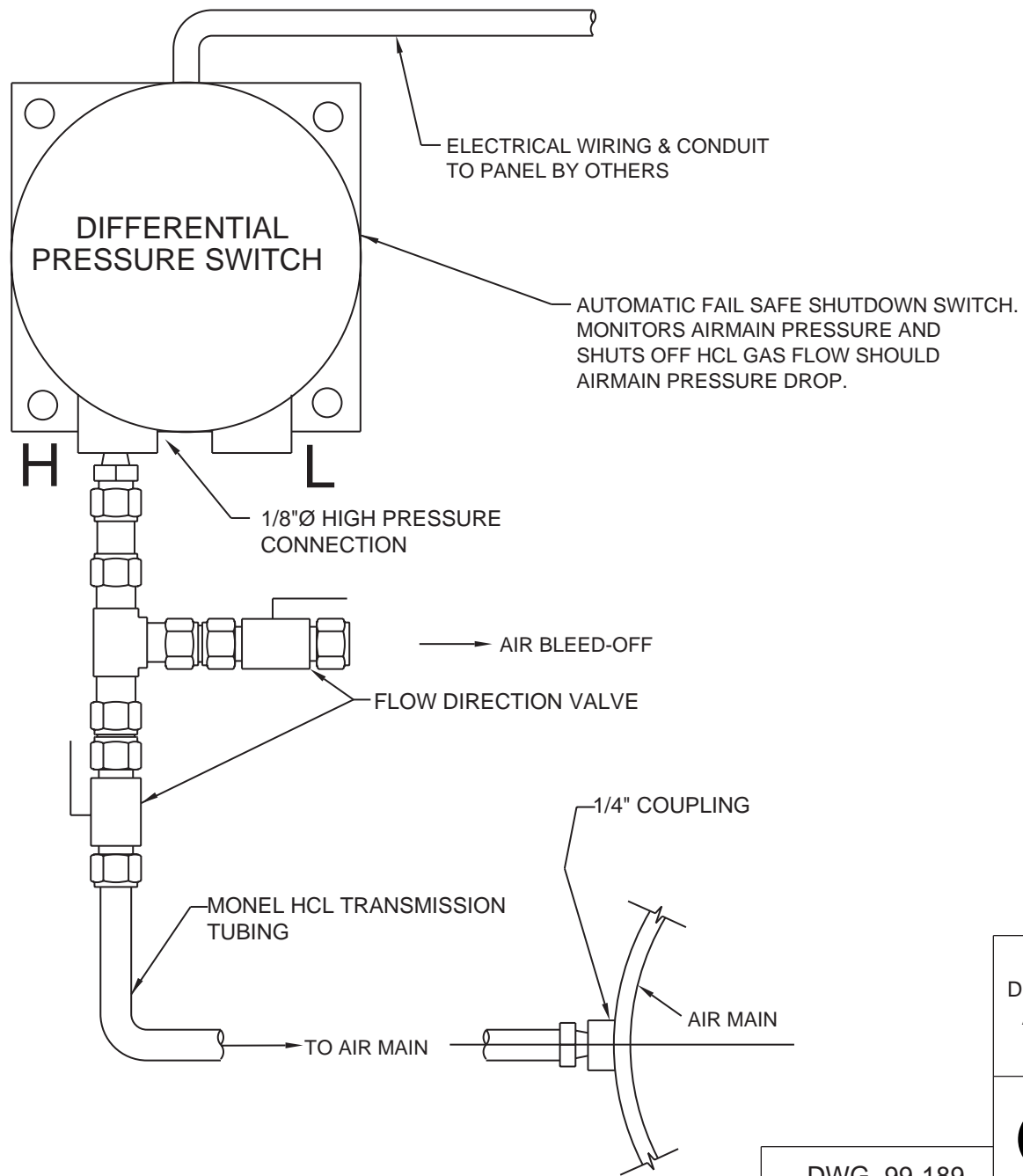
Sanitaire



ITT Industries

BROWN DEER, WISCONSIN 53223

DWG. 99-188



DIFFUSER IN PLACE CLEANING SYSTEM
AIRMAIN PRESSURE SWITCH DETAIL



DWG. 99-189

CONTENTS MAY NOT BE DUPLICATED, REPRODUCED OR COPIED
WITHOUT PERMISSION OF SANITAIRE